
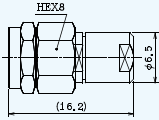

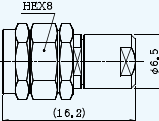

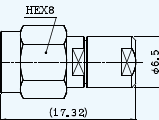

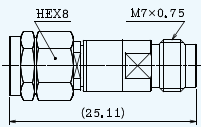

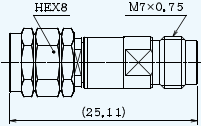

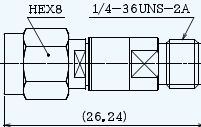


# Millimeter-Wave Terminator/Attenuator Series **NEW**

## ▶ Terminator

Product : 01R0454-00		Terminator		1.85mmV/P	
 (RoHS)		V.S.W.R.	DC ~ 67GHz $\leq$ 1.35		
		RF Power	1W (25°C)		
Product : 01R0455-00		Terminator		2.4mm/P	
 (RoHS)		V.S.W.R.	DC ~ 50GHz $\leq$ 1.35		
		RF Power	1W (25°C)		
Product : 01R0456-00		Terminator		2.92mmK/P	
 (RoHS)		V.S.W.R.	DC ~ 40GHz $\leq$ 1.2		
		RF Power	1W (25°C)		

## ▶ Attenuator

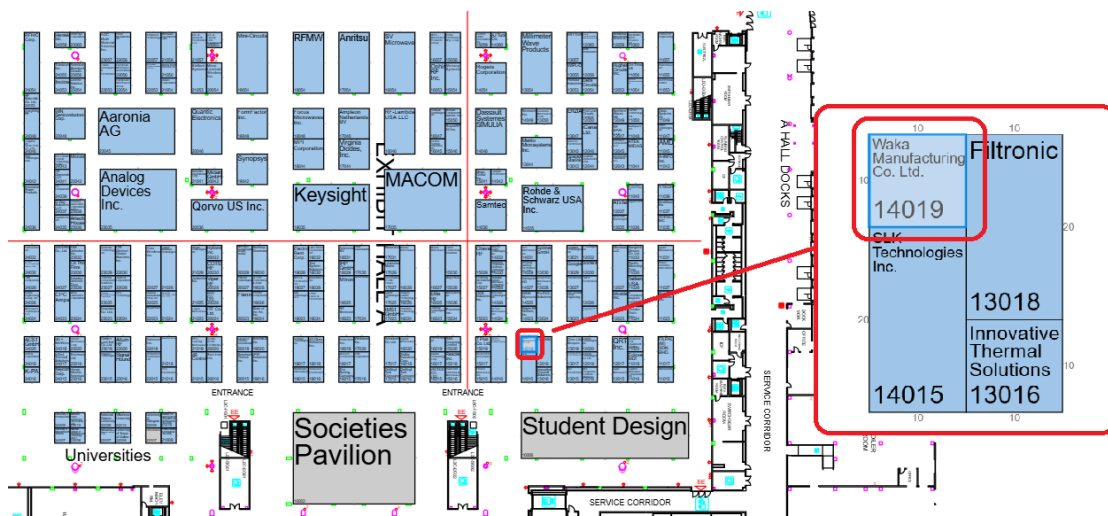
Product : 02R0457-00		Attenuator		1.85mmV/P-1.85mmV/J	
 (RoHS)		V.S.W.R.	DC ~ 67GHz $\leq$ 1.35		
		RF Power	1W (25°C)		
Product	Attenuation	Product	Attenuation		
02R0457-00	3dB -1.0/+1.3	02R0457-20	10dB -1.0/+1.3		
02R0457-10	6dB -1.0/+1.3	02R0457-30	20dB -1.2/+1.2		
Product : 02R0458-00		Attenuator		2.4mm/P-2.4mm/J	
 (RoHS)		V.S.W.R.	DC ~ 50GHz $\leq$ 1.35		
		RF Power	1W (25°C)		
Product	Attenuation	Product	Attenuation		
02R0458-00	3dB -1.0/+1.0	02R0458-20	10dB -1.0/+1.0		
02R0458-10	6dB -1.0/+1.0	02R0458-30	20dB -1.0/+1.0		
Product : 02R0459-00		Attenuator		2.92mmK/P-2.92mmK/J	
 (RoHS)		V.S.W.R.	DC ~ 40GHz $\leq$ 1.2		
		RF Power	1W (25°C)		
Product	Attenuation	Product	Attenuation		
02R0459-00	3dB -1.0/+0.8	02R0459-20	10dB -1.0/+0.8		
02R0459-10	6dB -1.0/+0.8	02R0459-30	20dB -1.0/+0.8		



Get in Touch!

We are exhibiting at IMS 2026, booth#14019,  
or contact our sales below.

Locate us:



Contact us:

Daisuke Suzuki  
International Sales  
[Suzuki.d@waka.co.jp](mailto:Suzuki.d@waka.co.jp)

More product on-line:

<https://en.waka-product.com/>

